

# GT SoftRide™

*Machine-Room-Less Elevator*

The Next Evolution in Elevator Efficiency



## SF100 Home Lift



## SF100 Commercial Wheelchair Lift

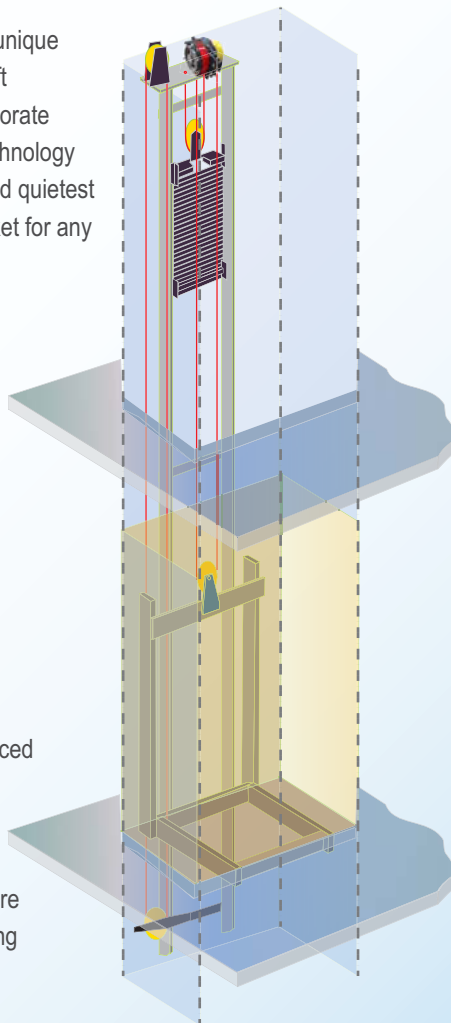


## SF500 & LU/LA Residential, Commercial & LU/LA Lift

Global Tardif is proud to introduce the unique GT SoftRide™ (Machine-Room-Less) lift system. GT SoftRide™ products incorporate the future generation of elevating technology and design providing the smoothest and quietest drive available in the accessibility market for any commercial applications.

The GT SoftRide elevator is without a doubt the most economical and environmental friendly solution where hydraulics or chain drive systems have been traditionally tried. This streamlined advanced designed elevator system features exceptional performance and reliability.

Global-Tardif is the only accessibility manufacturer in North America to offer gearless performance with such advanced technology. Bringing the best high-rise elevator technology to the accessibility market is testimony of Global-Tardif's continued focus to ensure accessibility products are always leading edge state-of-the-art!



## Pure Gearless Performance

Available Now From the High Rise Buildings to Your Own Application

### ENERGY SAVINGS

- Energy Saving Up to **60%** vs Conventional Hydraulic
- Low Power Consumption
- High Efficiency PM Motor Technology

### RIDE QUALITY

- Gearless Traction Elevator Performance
- Extremely Smooth Ride
- Quiet, Virtually Noiseless Operation

### ENVIRONMENTALLY RESPONSIBLE

- Environmentally Friendly
- No Hydraulic Oil - Zero Spill Risk
- No Hot Oil Smell

### BUILDING EFFICIENCY

- Recover Machine Room Space
- Flexible Layout

### MRL TECHNOLOGY

- Proven Reliability
- Universally Maintainable Design
- Standard Commercial Components

### APPLICATIONS / FEATURES

- Heavy Duty Made
- Upgraded Cab - Standard
- 1-Year Warranty

### CONTRACTOR'S PROGRAM

- Ask about joining the

**GT SoftRide Network**

- Visit our web site at [www.gtsoftride.com](http://www.gtsoftride.com)



Elevator Manufacturing Group

[www.gtsoftride.com](http://www.gtsoftride.com)



# SF100

# Home Lift

|              |                               |
|--------------|-------------------------------|
| Capacity     | 950 lbs (430 kg)              |
| Travel       | Up to 75 feet (22.5 m)        |
| Speed        | 40 fpm (0,2 m/s)              |
| Landings     | Up to 8                       |
| Power Supply | 220 VAC, 1 phase, 50 or 60 Hz |

- Instantaneous Break Safety Device
- GT-Tektronik SRX 100™ Control with Tape Reader
- Tape Reader Levelling System
- 8" (205 mm) Pit Depth Only
- 100" (2540 mm) Overhead
- Collapsible Car Gate GT-Woodfold™ or GT-Visifold™
- Two Way Levelling
- Single Automatic Operation
- Overspeed Governor
- Emergency Stop Button and Emergency Alarm Button
- Emergency Pit Switch
- In Use Indicator
- Illuminated LED Buttons

## Options

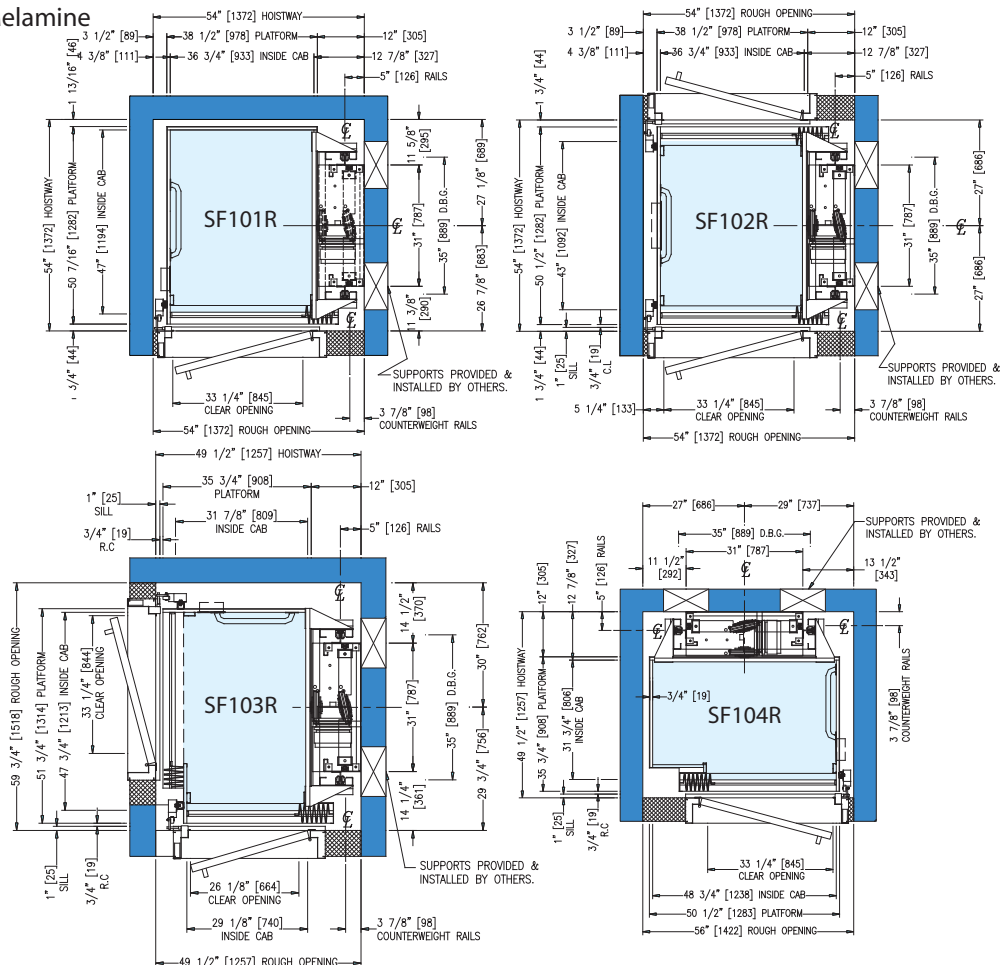
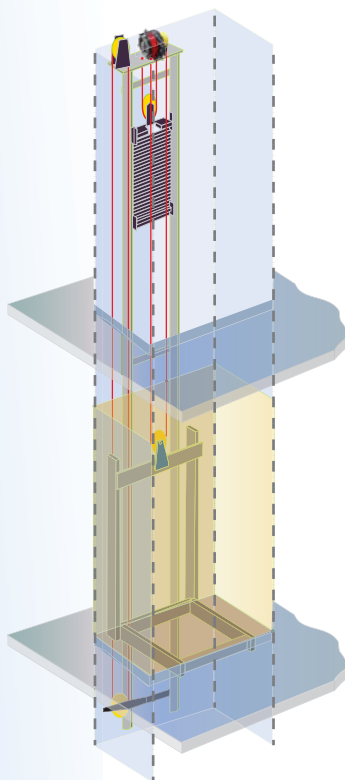
- Automatic or Manual GT-Swingdoors™
- Custom Plastic Laminate or Custom Wood Interior Finishes
- Custom Stainless or Bronze Finishes
- Custom Size, Custom Design, Architectural Cab Interior
- Emergency Battery Lowering Device
- Retiring Cam
- Electric Strike - PrudHomme Interlock
- Glass Cab & Glass Doors
- Telephone Cabinet
- Digital Position Indicator
- Hands Free Phone



## Standard Cab Features

- 6'-8" (2032 mm) Cab Height
- Two (2) Melamine Standard Cab Wall Colors Melamine
- Stainless Steel Satin Kick Base and Moldings
- Stainless Steel Satin Car Operating Panel
- Solid Ceiling with Incandescent Pot Lights
- Stainless Steel Satin Tubular Handrail

## Opening Configurations



# SF500 LU/LA Lift (Limited Use / Limited Application)

Residential or Commercial

|                                   | Capacity          | Maximum Travel    | Minimum Overhead | Speed                          |
|-----------------------------------|-------------------|-------------------|------------------|--------------------------------|
| <b>SF500 LU/LA Lift</b>           | 1400 lbs (635 kg) | 25'-0" (7620 mm)  | 132" (3353 mm)   | 30 fpm (0.15 m/s)              |
| <b>SF500 Residential Elevator</b> | 750 lbs (340 kg)  | 50'-0" (22860 mm) | 132" (3353 mm)   | 40 to 75 fpm (0.2 to 0.38 m/s) |
| <b>SF500 Commercial Elevator</b>  | 750 lbs (340 kg)  | 23'-6" (7163 mm)  | 132" (3353 mm)   | 40 fpm (0.2 m/s)               |

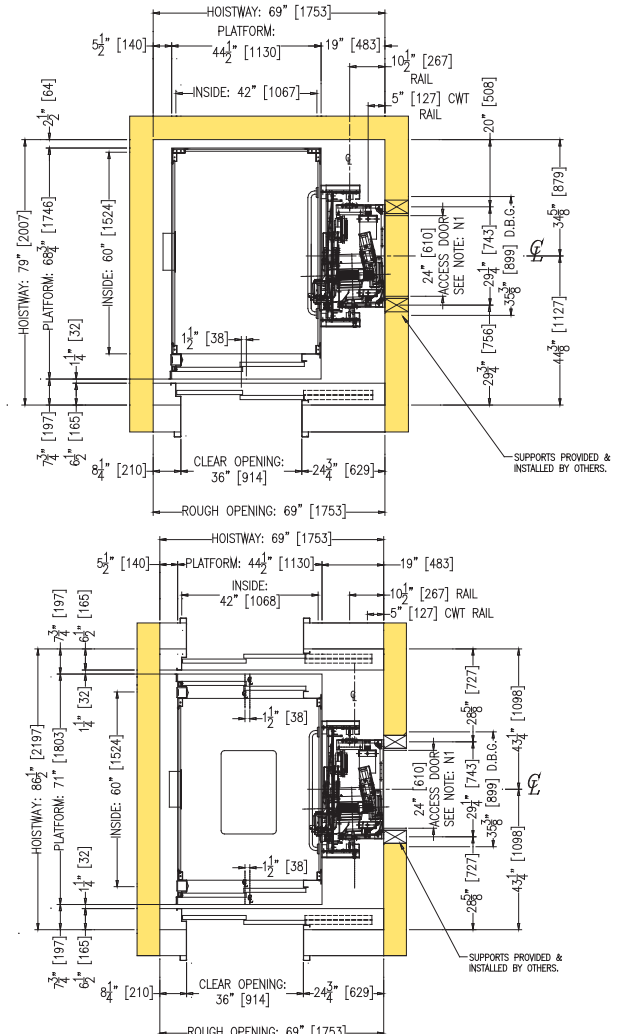
- 7'-0" (2134 mm) High Cab
- Pit Depth of 15" (381 mm)
- 220V, 1 phase, 50 or 60Hz
- GT-Tektronik SRX 500™ Control
- Two-Speed Door Operator
- Single Automatic Operation (GT-500R Residential Elevator Only)
- Tape Reader Leveling System
- Emergency Alarm and Stop Buttons
- Emergency Cab Lighting
- Telephone Cabinet
- Car Top Station (LU/LA)

## Options

- Emergency Battery Power Backup System for Powered Lowering and Door Operation in the Event of a Building Power Failure
- 1000 or 1400 lbs Capacity for **SF500R** & **SF500C**
- Digital Position Indicator
- Custom Plastic Laminate or Custom Wood Interior Finishes
- Custom Stainless or Bronze Finishes
- Custom Size, Custom Design, Architectural Cab Interior
- Glass Cab & Glass Doors
- Protective Pads
- 8'-0", 8'-6", 9'-0" (2438, 2591, 2743 mm) High Cab
- Custom Cab Dimensions
- Braille Jamb Plate
- Hands Free Phone



## Opening Configurations



## Standard Cab Features

- Stainless Steel # 4 Modular Cab Shell Walls Reveals and Base
- Stainless Steel # 4 Cab front and Doors
- Stainless Steel # 4 Tubular Handrails
- Stainless Steel # 4 Control Panel with Braille Tactiles Plate
- Two(2) Cab Wall Color Selection
- Led Illuminated Car Direction Indicator

## Standard GT EZ-Entrances™ Passenger type

- 1 1/2 Hr UL/ ULC Fire Rated Entrances Assembly - Global Type
- Sill Mounted Spring Door Closers
- Bolted Frame - Three-Pieces Knock Down
- Square Profile Design - 2" Jamb & Head Jamb Face to Suit 8" CMU Block Wall Construction
- Light Grey Primed Finish
- Aluminum Sills
- Jamb Plate (Stick-on Type) for Commercial Wheelchair Elevator

Contact Your Local Dealer :

\*The GLOBAL-TARDIF Limited Warranty covers replacement of any defective parts for a period of one (1) years. Labour cost not included.  
 GLOBAL-TARDIF reserves the right to discontinue models or options at any time or change the specifications, materials, equipment or pricing without notice and without incurring obligation.  
 U.S. and foreign patents pending. 2004 GLOBAL-TARDIF Elevator Manufacturing Group Inc.